

C4, C4 ZINC & C4-51 MODEL MULTI-PURPOSE PUMPS

Thank you for purchasing either a Macnaught model C4, C4 Zinc or C4-51 Multi-Purpose Pump.

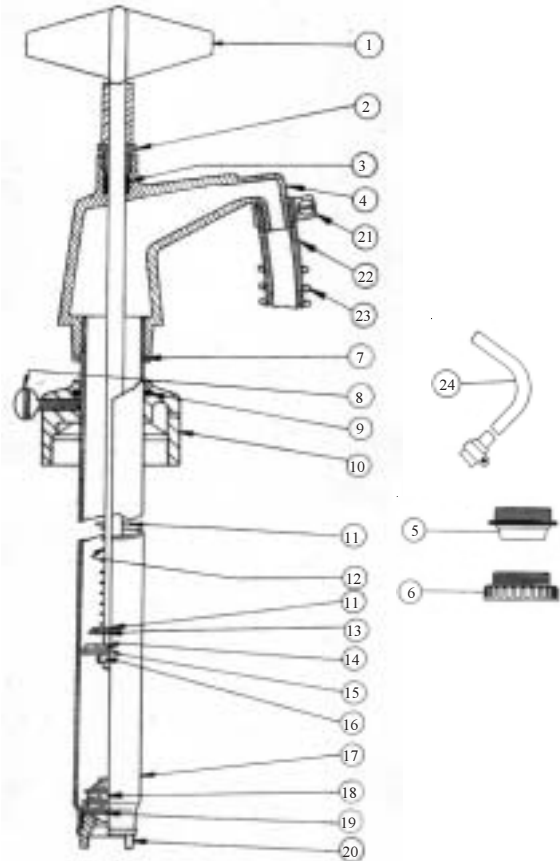
Please read and retain this instruction sheet to assist you in the maintenance of this quality product.

IMPORTANT

Before operation ensure that manual non-drip nozzle is open to prevent pressure build up or hose damage.

Your C4 pump features:

- * Adjustable collar with removable bung adaptor to suit drums with or without plastic spout.
- * Fully serviceable, spare parts readily available.
- * Delivers approximately 100ml per stroke.
- * Fits 18 to 25 litre drums.
- * Suitable for Kerosene, two stroke mix, light viscosity oils and most solvents.
- * Model C4-51 is supplied complete with a 1.8m hose and nozzle
- * C4 ZINC Model for use in underground mines



PARTS LIST

ITEM	PART No.	No. off	ORDER FOR REPLACEMENT		KIT. REF	DESCRIPTION
			PART / SET			
1	AC42	1	AC42s			PUMP ROD ASSEMBLY
2	AC33	1		AC33s		GLAND NUT
3	AC34	1				GLAND SEAL
4	AC32	1	AC32s	incl BS024		BODY
4	AC32-1	1	AC32s-1	incl BS024		BODY (ZINC)
5	AC2	1				ADAPTOR
6	AC9	1				ADAPTOR
7	BS024	1		AC24s		ORING
8	N71	1				THUMB SCREW
9	BS216	1				ORING
10	AC23	1				ADJUSTABLE COLLAR
11	N103	2				WASHER
12	AC31	1				PLUNGER SPRING
13	N265	1		AC6s		SPRING CLIP
14	N105	1				VALVE PLATE
15	AC6	2				PLUNGER DISC
16	N212	1				STEEL LOCK NUT
17	AC10	1		AC10s		PUMP TUBE
18	N412	1				9/16" STEEL BALL
19	KM58	1				BALL RETAINER
20	KM57	1		AC5s		FOOT VALVE
21	Z47	2				HOSE CLAMP
22	AG87	1				HOSE
23	AG24	1		AC87s		HOSE SPRING
24	AG82	1		AC82s		OUTLET TUBE

WARRANTY POLICY

Macnaught Limited ("Macnaught") warrants that Products purchased after 1st of July 1999 will be free from any defects caused by faulty materials or workmanship for a period of (5) years from the date of purchase of the product.

For componentry contained in the product which are subject to wear, the warranty period will be (12) months from the date of purchase of the product.

Provided that during the Warranty period:

- 1) Macnaught receives notice setting out full details of any defect in any product and details of the time and place of purchase.
- 2) The Purchaser, at their own cost returns the product to the nearest authorized Macnaught service center.

Macnaught shall, at its option repair or replace any product found defective by its inspection.

This warranty does not cover failure of parts or components due to normal wear or damage, which in the judgment of Macnaught, arises from misuse, abrasion corrosion, negligence, accident, substitution of non-Macnaught parts, faulty installation or tampering.

If Macnaught inspection discloses no defect in material or workmanship, repair or replacement and return will be made at customary charges.

Macnaught's liability and the purchaser's rights under this Warranty shall be limited to such repair or replacement and in particular, shall not extend to any direct, special, indirect or consequential damage or losses of any nature.

The foregoing warranty supersedes, voids and is in lieu of all or any other warranties.

Note:

This warranty does not form part of, nor does it constitute, a contract between Macnaught and the purchaser. It is additional to any warranty given by the seller of the products and does not exclude, limit, restrict or modify the rights and remedies conferred upon the purchaser, or the liabilities imposed on the seller, by any statute or other laws in respect of the sale of the product.

C7, C7 ZINC & CF7 MODEL GEAR OIL PUMPS

Thank you for purchasing either a Macnaught model C7, C7 Zinc or CF7 Gear Oil Pump.

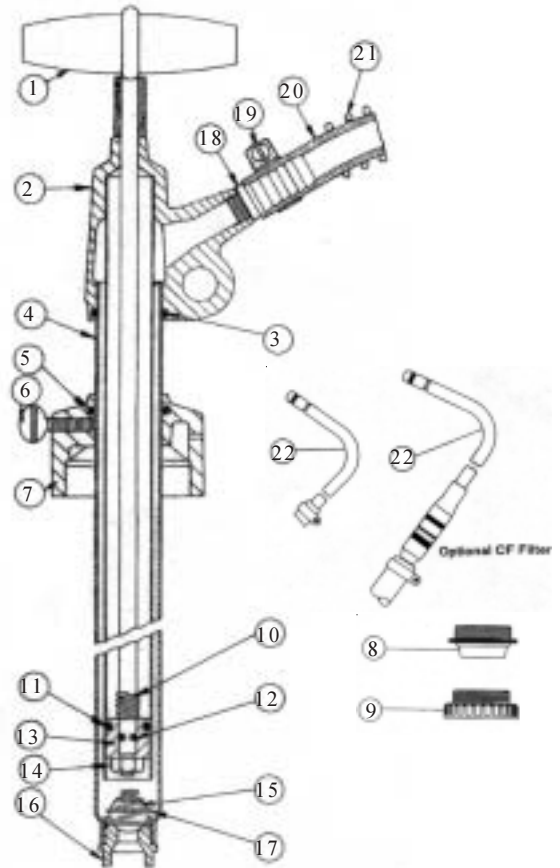
Please read and retain this instruction sheet to assist you in the maintenance of this quality product.

IMPORTANT

Before operation ensure that manual non-drip nozzle is open to prevent pressure build up or hose damage.

Your C4 pump features:

- * Adjustable collar with removable bung adaptor to suit drums with or without plastic spout.
- * Fully serviceable, spare parts readily available.
- * Pumps on the down stroke, approximately 100ml / stroke.
- * Complete with 1.8m hose and non-drip nozzle.
- * Suitable for oils up to SAE 140.
- * Optional CF Filter for A.T.F and oils of similar viscosity.
- * C4 ZINC Model for use in underground mines.



PARTS LIST

ITEM	PART No.	No. off	ORDER FOR REPLACEMENT		DESCRIPTION
			PART/SET	KIT . REF	
			C7-1K (KIT A)		SEAL KIT
1	AC42	1	AC42s		PUMP ROD ASSEMBLY
2	AG24	1	AG21s ind BS024		BODY & INNER TUBE ASSY
2	AG24-1	1	AG21s-1 ind BS024		BODY & INNER TUBE ASSY (ZINC)
3	BS024	1	AC10s	A	ORING
4	AC10	1			PUMP TUBE
5	BS216	1		A	ORING
6	N71	1	AC24s		THUMB SCREW
7	AC23	1			ADJUSTABLE COLLAR
8	AC2	1			ADAPTOR
9	AC9	1			ADAPTOR
10	AA11	1		A	TOP STOP SPRING
11	BS113	1		A	ORING
12	BS008	1		A	ORING
13	AG6	1		A	PISTON
14	N212	1		A	STA LOCK NUT
15	N412	1			9/16" STEEL BALL
16	KM57	1	AC5s		FOOT VALVE
17	KM58	1			BALL RETAINER
18	KM8	1	KM8s		HOSE TAIL
19	N366	2			HOSE CLAMP
20	AC87	1	AG88s		HOSE
21	AC29	1			HOSE SPRING
22	AC88	1			OUTLET TUBE ASSEMBLY

WARRANTY POLICY

Macnaught Limited ("Macnaught") warrants that Products purchased after 1st of July 1999 will be free from any defects caused by faulty materials or workmanship for a period of (5) years from the date of purchase of the product.

For componentry contained in the product which are subject to wear, the warranty period will be (12) months from the date of purchase of the product.

Provided that during the Warranty period:

- 1) Macnaught receives notice setting out full details of any defect in any product and details of the time and place of purchase.
- 2) The Purchaser, at their own cost returns the product to the nearest authorized Macnaught service center.

Macnaught shall, at its option repair or replace any product found defective by its inspection.

This warranty does not cover failure of parts or components due to normal wear or damage, which in the judgment of Macnaught, arises from misuse, abrasion corrosion, negligence, accident, substitution of non-Macnaught parts, faulty installation or tampering.

If Macnaught inspection discloses no defect in material or workmanship, repair or replacement and return will be made at customary charges.

Macnaught's liability and the purchaser's rights under this Warranty shall be limited to such repair or replacement and in particular, shall not extend to any direct, special, indirect or consequential damage or losses of any nature.

The foregoing warranty supersedes, voids and is in lieu of all or any other warranties.

Note:

This warranty does not form part of, nor does it constitute, a contract between Macnaught and the purchaser. It is additional to any warranty given by the seller of the products and does not exclude, limit, restrict or modify the rights and remedies conferred upon the purchaser, or the liabilities imposed on the seller, by any statute or other laws in respect of the sale of the product.