



RP67
0603
0003

RETRACTA

OA100 OXY-ACETYLENE HOSE REEL

INSTRUCTION MANUAL

Thank you for purchasing a Retracta Auto Rewind Hose Reel.

The Retracta range of hose reels are a breakthrough in industrial quality hose reel design, performance, durability, versatility and cost. The efficiency, safety and convenience benefits of auto rewind hose reels are now available for most situations where a hose is required.

Manufactured from the highest quality weather resistant materials, the tough high impact polypropylene is U.V. stabilised, designed for all purpose corrosion free durability. The rewind mechanism is lubricated and sealed for trouble free operation.

This retractable hose reel promotes a neat and tidy good-looking work area, reducing the possibility of accidents, and improves the work environment. Safety is enhanced by low recoil tension even with the hose fully extended.

With your appropriate care, combined with the Macnaught guarantee of dependable after sales service, you will be assured of continuous safe, efficient and reliable product operation.

GENERAL INFORMATION

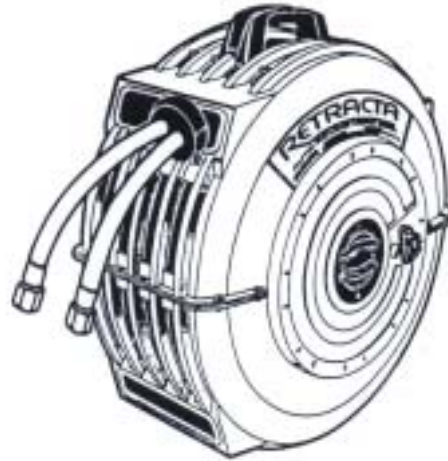
This manual assists you in operating and maintaining your new retractable hose reel. The information contained will help you ensure many years of dependable performance and trouble free operation.

Please take a few moments to read through this manual before installing and operating your new retractable hose reel. If you experience problems with the product, refer to the procedures contained within this instruction manual. If you require further assistance please contact your local Macnaught distributor, or local Macnaught service centre.

IMPORTANT INFORMATION

Your safety is important to us. Please read, understand and follow all safety instructions listed below. Some of these instructions alert you to the potential for personal injury. "Cautions" listed throughout the manual advise of potential practices or procedures which may cause damage to your equipment.

Make sure all operators have access to adequate instructions about safe operating and maintenance procedures.



This hose reel contains a pre-tensioned spring inside the drum assembly. For safety reasons the drum assembly is a non-repairable item. **DO NOT** under any circumstances try to open the drum assembly. A new drum assembly will be required if the spring is damaged.

DO NOT exceed the maximum working pressure stated on the product label.

The maximum installation height is 4.5 meters (15ft) above the ground.

The maximum weight of hose end tools is 2kg (4lb).

This reel contains a gravity pawl latching mechanism. **DO NOT** mount reel upside down otherwise the latching system will not work. The mode switch should always be at 3 o'clock position. (Refer to installation procedure).



PLEASE READ THIS IMPORTANT SAFETY INFORMATION CAREFULLY BEFORE USE.

The following additional safety information applies to the Retracta Oxy-Acetylene Reel. For your safety please read and follow the safety instructions detailed below.

Oxygen Acetylene Gas is hazardous material that can cause serious accidents and injuries if proper precautions and safe practices are not followed.

Operation and maintenance of Oxy Acetylene Gasequipment should conform to the provisions of the American National Standard Z49-1 "Safety in Welding and Cutting".

Leak test all connections and hose reel swivels prior to initial use (refer “Gas Leak Test Procedure”) and repeat at frequent intervals. It is recommended that leak tests on all equipment be carried out at least monthly and on the replacement of cylinders and after the maintenance or replacement of any equipment, component part or hose.

For O-Ring seal lubrication use only ‘Tranz’ 1434 or an equivalent inert lubricant when required. DO NOT allow oil or grease to come in contact with the swivel or Oxy-Fuel gas equipment.

SAFETY PRECAUTIONS

ONLY use this Retracta reel for the Oxy Acetylene gas combination.

DO locate equipment in well ventilated areas.

DO run leak tests on your total system including the Hose Reel Swivel frequently. (Refer to the Retracta Operating and Service Instructions).

DO repair or replace equipment and hoses immediately any gas leak is detected. Leaking Oxygen or Acetylene can cause serious fire and personal injury.

DO examine the hose, reel swivel and other equipment for damage (including leaks) should a “Flashback” occur. Replacement of swivel seals is recommended. The use of “Flashback” check valves to reduce the risk of backflow and “Flashback” is also recommended.

DO use only Retracta replacement swivel components and seals as supplied by Macnaught. Obtain replacement parts from your local Authorised Macnaught Service Centre or from Macnaught.

DO NOT allow grease and oil to come into contact with any Oxy-Acetylene equipment, components or hose. These materials ignite easily and burn violently in the presence of Oxygen.

DO NOT use pipe fitting compounds or thread lubricants in making connections.

DO NOT direct the gas flame at the hose or hose reel.

DO NOT exceed the recommended maximum Acetylene draw off rate from the cylinder and only operate when the cylinder is upright. Liquid acetone solvent contained in the cylinder can escape and damage the hose, hose reel seals and other equipment.

DO NOT work with damaged or faulty equipment or hoses.

INSTALLATION

- 1) Attach the carry handle to the reel casing above the reel hose mouth, using the screws provided.
- 2) The reel can only be mounted in one of the following (4) positions shown below. (Refer Fig 1, 2, 3, 4)

If you choose the most popular positions (1) and (2) you should use the standard (BU100) bracket. If you choose positions (2) and (4) you will need to rotate the side plate so that the mode switch is at the 3 o’clock position. (Refer to “Spring tensionion and latching side plate removal” section). If using position (3) and (4) you will need the optional bracket (BB100).

Fig.1 Wall / BU100



Up to 6ft above ground

Fig.2 Overhead / BU100



Up to 15ft above ground

Fig.3 Floor/Bench/BB100

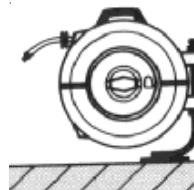


Fig.4 High Wall/BB100



Between 1.8m (6ft) and 4.5m (15ft) above ground

- 3) Fix mounting bracket in required location and position reel onto bracket. (Brackets can be padlocked for additional security). Oxy Acetylene reels should only be used in well ventilated areas.
- 4) Connect supply hose to reel inlet allowing sufficient space for reel to swivel 180° on bracket. Swivel rotation can be avoided (in the overhead position only) by adding the locking bracket (RB9) supplied.

Make all connections dry. **DO NOT** use pipe fitting compounds, thread lubricants, oil or grease. Tighten hose connections with a spanner. Oxygen hoses use only right hand threaded connections. Note Acetylene hoses use left hand threaded connections.

⚠ CAUTION

Test the system and all connections for leaks prior to use. Re-test the system frequently (once per month approx) and on each change of gas cylinder or after maintenance.

OPERATION

Set mode switch in “Automatic latch” or “Free run” position as required (Refer Fig 5). Hose will need to be pulled out approximately 30cm (12”) to make this change Adjust hose stopper as required. Do not pull mode switch. To operate push the switch from side to side.

- 1) “Automatic Latch” Mode.

Pull out hose and release slowly to allow hose to latch. Hose latches at 18” intervals. To rewind hose, pull out approximately additional 12” of hose and release quickly to activate rewinding. Guide hose back into reel to avoid bunching.

2) “Free Run” Mode

The hose will not latch when retracting. To rewind, guide hose back onto the reel to avoid bunching.

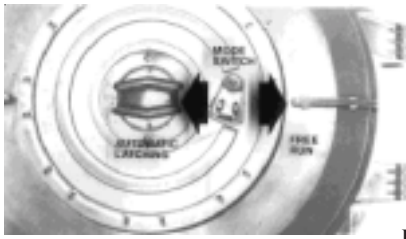


Fig.5



CAUTION

To prevent injury or damage occurring, do not let go of the hose during rewinding.

MAINTENANCE

This section details the step-by-step procedures that you may require for the general use and maintenance of your reel. Please keep this instruction manual for future reference.

GAS LEAK TEST PROCEDURE

Test Oxygen /Acetylene hose lines separately. Ensure that all connections from the cylinder through to the torch are tight.

- 1) Close both torch valves.
- 2) Open the Oxygen cylinder valve and adjust the delivery pressure to 25psi or more.
- 3) Close the Oxygen valve and observe the delivery pressure gauge. If a drop in pressure occurs, re-pressure the hose and test all the connections including the hose, swivel and swivel body by brushing with warm soapy water solution looking for the presence of any bubbles.
- 4) Open the Oxygen valve at the torch and re-close to vent the Oxygen line. Repeat steps 1,2 and 3 with the Acetylene, with the delivery pressure set at 10 psi. Vent the Acetylene line.
- 5) Replace or repair any faulty items immediately and repeat ‘Leak test’ procedure.

TO CHANGE FROM WALL TO OVERHEAD MOUNT

All Hose Reels are assembled for wall mount, if you require overhead mount, please use the following procedure.

- 1) Release spring tension using “Tension Release” procedure (Refer to ‘Spring Tensioning and Latch Side Plate Removal’), then remove centre screw and tension plate (8).
- 2) Remove latching side plate (9) (Refer to “Spring Tensioning and Latch Side Plate Removal”). Rotate side plate clockwise 90° from its original position. The location of the mode switch relative to the reel mounting bracket should be as shown in Fig 2 and 4.

- 3) Replace latching plate in its new position (Refer to “Spring Tensioning and Latch Side Plate Removal”).

Replace tension plate and centre screw and re-tension spring, (Refer to “Spring Tensioning and Latch Side Plate Removal”).

REMOVAL/ REPLACEMENT OF INLET CONNECTION SIDE PLATE

- 1) Place reel on a clean bench with the inlet side plate (3) face up. Remove screw located at the edge of the inlet plate. Rotate plate clockwise.
- 2) Swivel assembly and hose will come away attached to the inlet side plate.
- 3) To replace inlet side plate, suspend reel between your body and edge of bench. Reposition the plate and turn counter-clockwise. Re-locate side screw.

SWIVEL SEAL REPLACEMENT



CAUTION

Use only genuine Retracta O-Ring replacement kits. The use of any other seals can be dangerous. Ensure that the replacement procedure is carried out in an oil and grease free, clean environment.

- 1) Place reel on a clean bench with the inlet side plate (3) face up. Remove screw located at the edge of the inlet plate. Rotate plate clockwise.
- 2) Remove the inlet side plate (Refer Removal/ Replacement Inlet Connection Side Plate).
- 3) Remove circlip (5) from end of swivel shaft assembly (1) and slide the inlet shaft from the swivel body (4).
- 4) Carefully remove the existing O-Rings by lifting O-Rings out from grooves using a small screwdriver. With o-rings extended, cut through the O-Ring onto the screwdriver face. Be careful you do not score o-ring grooves.



CAUTION

Do not damage or score inlet shaft surface when removing or cutting o-ring.

- 5) Before fitting the new o-rings ensure that both the inlet shaft and swivel are thoroughly wiped clean. Apply ‘Tranz’ 1434 lubricant (supplied in kit) or equivalent to the o’ring grooves of the inlet shaft.
- 6) Slide the o-ring applicator sleeve (supplied in kit) over the inlet shaft to expose only the furthestmost o-ring groove. Put the first o-ring onto the sleeve and slide up to the exposed groove. Withdraw the sleeve, stopping at each groove, and fit the o’rings one at a time following the same procedure.

SWIVELRE-ASSEMBLY

- 7) Slide the inlet shaft back into the swivel body and replace the circlip. Note that if the circlip groove is not exposed after fitting, the swivel body is back to front.

- 8) Slide the inlet shaft back into the drum assembly (6), pushing the complete unit home.
- 9) Replace the inlet side plate. (Refer to 'Removal / Replacement of Inlet Connection Side Plate')

HOSE REPLACEMENT

- 1) Put reel in the latching mode and pull the hose out of the reel. With the hose fully extended allow the reel to latch.
- 2) Remove the inlet side plate (3) (Refer "Removal/ Replacement of Inlet Connection Side Plate"). The swivel shaft assembly (1) will come away attached to the inlet side plate.
- 3) Remove hose from swivel body (4). Remove remaining old hose from the mouth of the reel.
- 4) Use only recommended length and type of replacement hose.
- 5) Feed the new hose through top of reel mouth and into opening on reel drum which gives access to the swivel compartment. Replace and secure the internal hose stopper 5" (13cm) from the end of hose assembly. Reconnect hose.
- 6) Replace inlet side plate (3) (Refer "Removal/ Replacement Inlet Connection Side Plate").
- 7) Place the reel in a vertical position and while holding the reel pull the hose out and switch to free run mode. The hose will now rewind. Carefully guide the hose onto the drum.
- 8) If the replacement hose is the same length as the old hose no tension adjustment is necessary. If spring tension adjustment is required follow the " Spring tensioning" procedure.



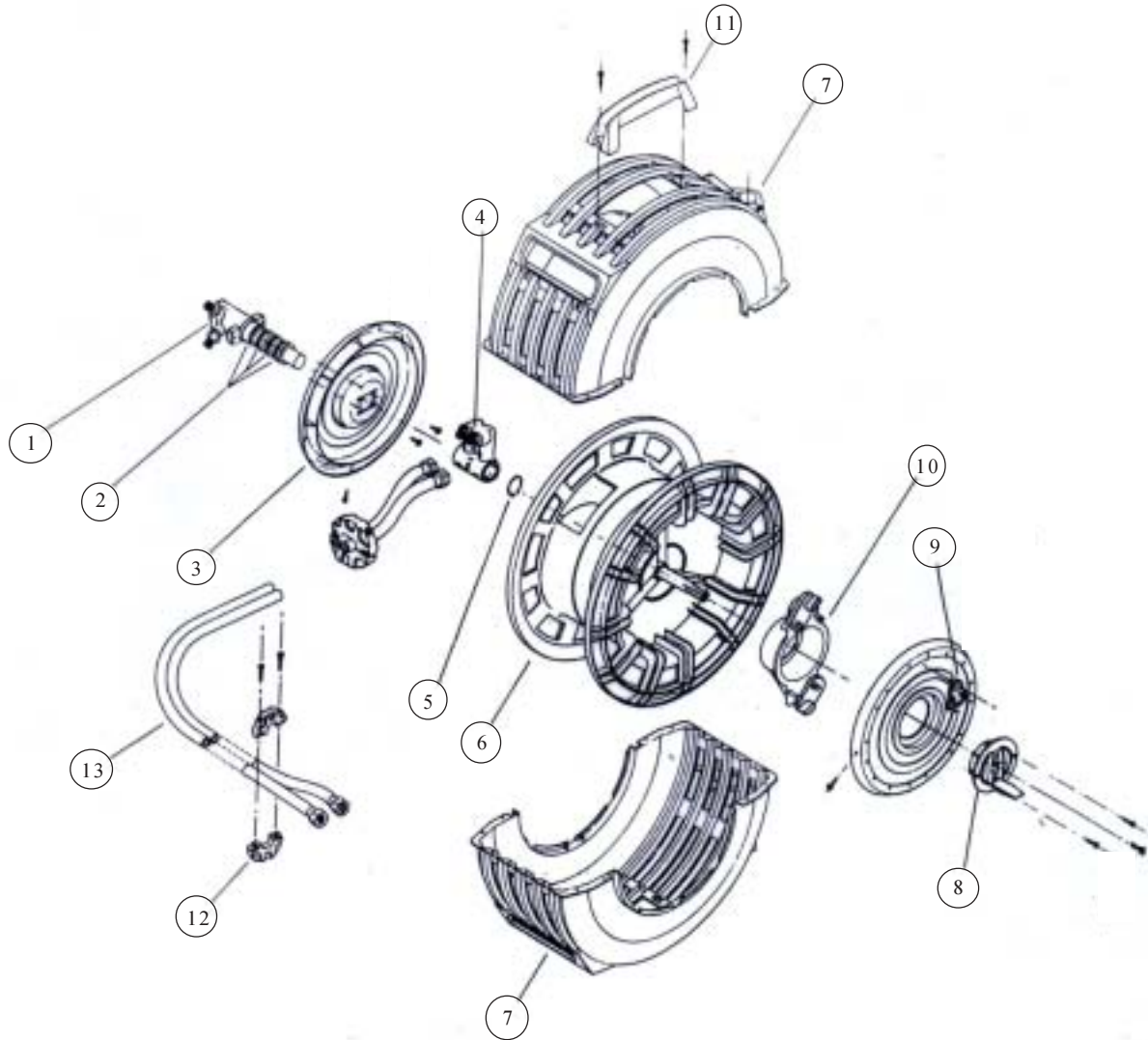
CAUTION

Test the reel for leaks prior to any further use

SPRING TENSION AND LATCH SIDE PLATE REMOVAL

- 1) Place reel on a clean bench with latching plate (9) face up. Set mode switch to "Free Run" position (see Fig 5).
- 2) Release spring tension by opening tension plate (8) and place handle of a pair of pliers in the exposed slots. Grip the pliers firmly and remove the two screws holding the tension plate (8) and carefully allow the tension plate to slowly unwind counter clockwise.
- 3) Remove screw holding tension plate and remove tension plate. Remove screw located at the edge of the latching plate. Turn latching plate clockwise and remove, this will expose the latching cup assembly.
- 4) To replace latching plate, suspend reel between your body and edge of the bench. Reposition the plate and turn counter clockwise. Relocate side screws, replace tension plate and fixing screw.
- 5) Reload spring tension by using the same tool (as in step 2) and wind tension plate clockwise until hose stopper is firmly against the reel mouth, some resistance will be felt. Then add approximately six (6) complete 360° tension turns. Hold the tension plate in this position, align dimples on tension plate latching side plate and replace the two screws. Close tension plate and cover.

PARTS DIAGRAM



PARTS LIST

OA 100 REEL PARTS						
ITEM	PART No.	No. off	PART or SET		KIT. REF	DESCRIPTION
1	RS79	1		RS79s (AUST)		SWIVEL SHAFT ASSEMBLY
2	RS59	1	OA-1K	RS53s (USA)		SWIVEL SEAL KIT
3	RP2	1	order RP80Cs *			INLET SIDE PLATE
4	RS80	1		RS79s (AUST)		SWIVEL BODY ASSEMBLY
5	Z9	1	Z9s			CIRCLIP
6	RP35	1	RP35-Black			DRUM ASSEMBLY (incl Spring)
7	RP36	1		RP36Cs * incl RP6s		OUTER CASING (LOWER)
7	RP36s	1				OUTER CASING incl MOUTHGUARD
8	RP90	1				TENSIONING PLATE ASSEMBLY
9	RP80	1		RP80Cs * (incl RP2)		LATCH SIDE PLATE ASSEMBLY
10	RP70	1				LATCH CUP ASSEMBLY
11	RP6	1	RP6s			CARRY HANDLE
12	Z22s	1		RH30s		HOSE STOPPER
13	RH30	1				HOSE REPLACEMENT KIT
	RB9	1	RB9s			LOCKING BRACKET
	BU100	1	BU100			STANDARD WALL BRACKET

* NOMINATE COLOUR WHEN ORDERING REPLACEMENT MOULDINGS

TROUBLE SHOOTING GUIDE

PROBLEM	REMEDY
<p>1. Hose will not retract</p> <ol style="list-style-type: none"> 1. Hose bunching. 2. Spring tension too light. 3. Replacement hose too heavy. 	<ol style="list-style-type: none"> 1. Pull hose out and rewind guiding the hose to avoid bunching. 2. Refer to “Spring tension and latch side plate removal”. 3. Replace hose with recommended hose, refer to “Hose Replacement”.
<p>2. Reel will not latch</p> <ol style="list-style-type: none"> 1. Reel mounted upside down or incorrectly. 2. Are you releasing the hose too quickly. 3. Broken latching pawl or mode switch. 4. Mode switch in the wrong position. 	<ol style="list-style-type: none"> 1. Refer to Installation section. 2. Guide the hose slowly into the reel, do not release the hose. 3. Send reel to the factory for replacement or replace broken components. Refer to “Spring Tension and Latch Side Plate Removal”. 4. Set mode switch to Latch. Refer to “Fig 5”.
<p>3. Reel Leaks.</p> <ol style="list-style-type: none"> 1. Damaged Hose. 2. Loose fittings. 3. Worn swivel seals 	<ol style="list-style-type: none"> 1. Replace hose. Refer to “Hose Replacement”. 2. Tighten Fitting. refer to “Removal / Replacement of inlet Connection Side Plate”. 3. Refer to “Swivel Seal Replacement”.

WARRANTY POLICY

Macnaught Pty Ltd (“Macnaught”) warrants that all Products manufactured by Macnaught and purchased after 1st of July 1999 will be free from any defects caused by faulty materials or workmanship for a period of (5) years from the date of purchase of the product, provided that during the Warranty period:

- 1) Macnaught receives notice setting out full details of any defect in any product and details of the time and place of purchase.
- 2) The Purchaser, at their own cost returns the product to the nearest authorized Macnaught service center.

For componentry contained in the product, (such as o’rings, seals, springs and hoses) which are subject to wear, the warranty period will be (12) months from the date of purchase of the product.

Macnaught shall, at its option repair or replace any product found defective by its inspection. This warranty does not cover failure of parts or components which, in the judgment of Macnaught, arises from misuse, abrasion corrosion, negligence, accident, substitution of non-Macnaught parts, faulty installation or tampering.

If Macnaught inspection discloses no defect in material or workmanship, repair or replacement and return will be made at customary charges.

Macnaught’s liability and the purchaser’s rights under this Warranty shall be limited to such repair or replacement and in particular, shall not extend to any direct, special, indirect or consequential damage or losses of any nature.

The foregoing warranty supersedes, voids and is in lieu of all or any other warranties.

“Note: This warranty does not form part of, nor does it constitute, a contract between Macnaught and the end-user or purchaser. It is additional to any warranty given by the seller of the products.

This warranty does not exclude, limit, restrict or modify the non-excludable rights or remedies conferred upon the end-user or purchaser, or the non-excludable duties or liabilities imposed on the seller or Macnaught, by Part V, Divisions 2 and 2A of the Trade Practices act 1974 (Commonwealth) or other legislative provisions. Macnaught otherwise excludes, to the extent permitted by law, any rights conferred on the end-user or duties or liabilities imposed upon it.”



Macnaught Pty Ltd
 PO Box 90 Arncliffe NSW 2205 Australia
 Telephone (02) 9567 0401
 Facsimile (02) 9597 7773
 Email sales@macnaught.com.au